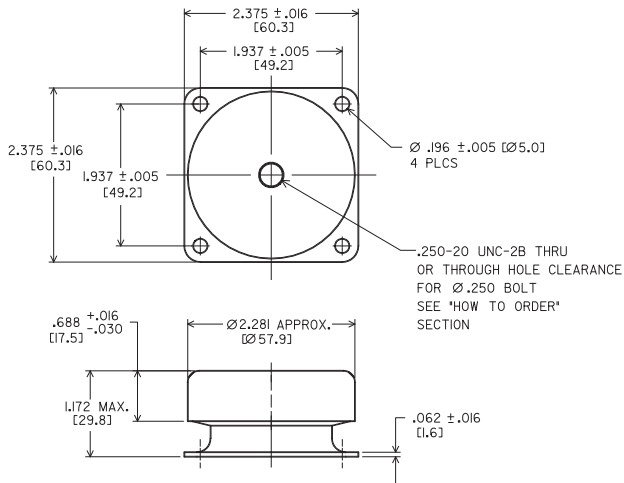


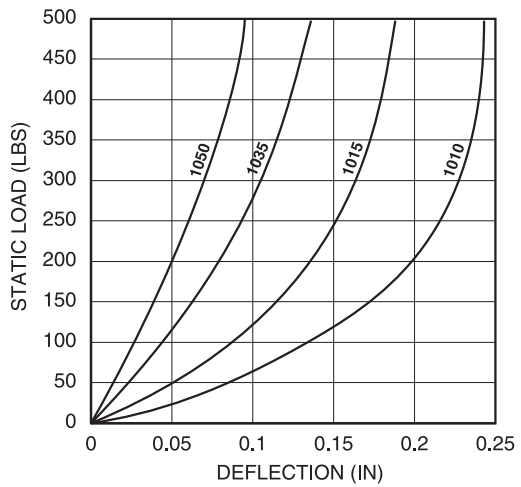
1000 SERIES CUPMOUNT:

Dimensions & Performance Characteristics

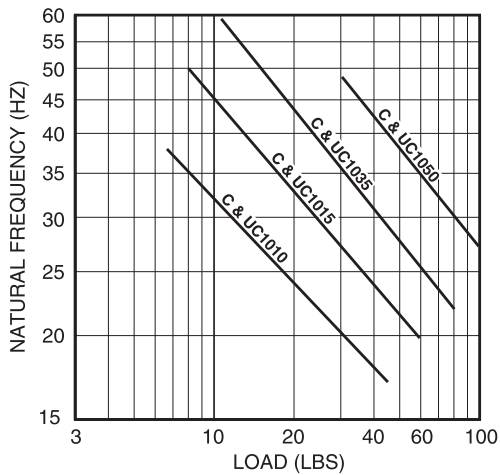
SERIES 1000
Dimensional Drawing



SERIES C, UC & NC 1000
Load vs. Deflection



SERIES C1000 and UC1000
Load vs. Natural Frequency



SERIES NC1000
Load vs. Natural Frequency

