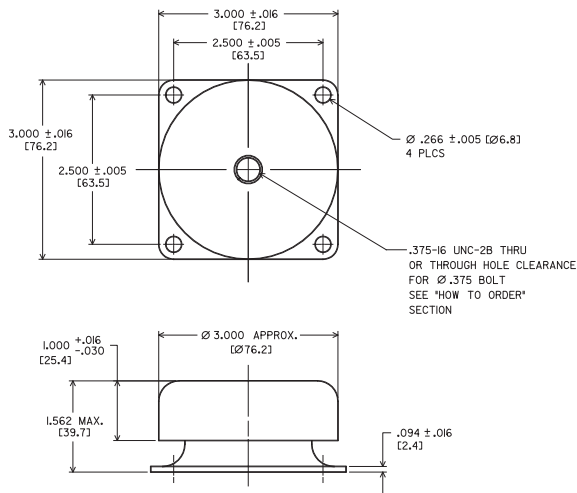


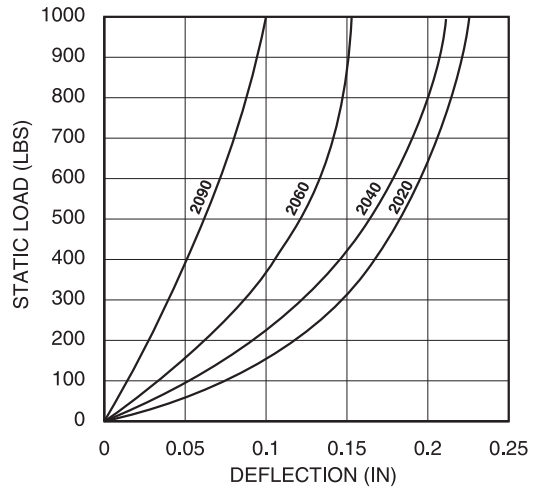
# 2000 SERIES CUPMOUNT:

## Dimensions & Performance Characteristics

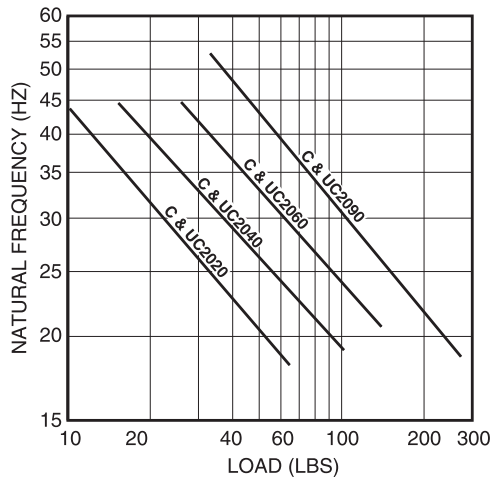
**SERIES 2000**  
Dimensional Drawing



**SERIES C, UC & NC 2000**  
Load vs. Deflection



**SERIES C2000 and UC2000**  
Load vs. Natural Frequency



**SERIES NC2000**  
Load vs. Natural Frequency

