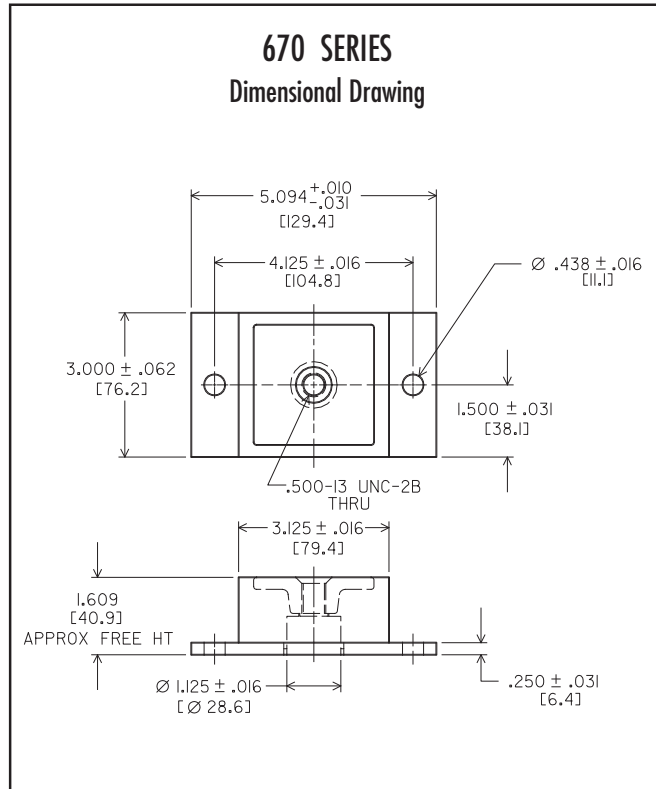


MACHINERY MOUNT SERIES: 670 SERIES

Dimensions & Performance Characteristics



670 SERIES LOAD RANGE DATA	
Part #	Maximum Static Load/Isolator (lbs.)
670-7	700
670-10	1,000
670-15	1,500

