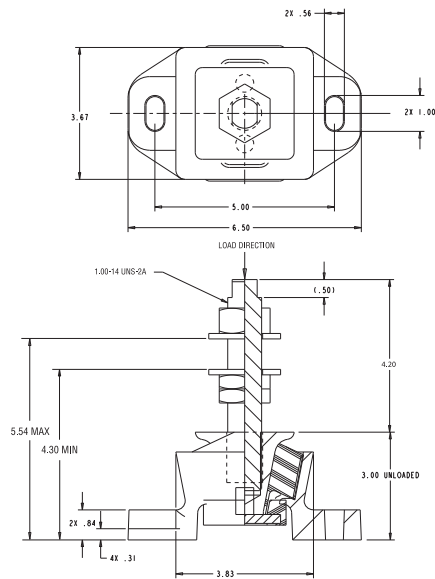


# MARINE MOUNT SERIES: 27391

## Dimensions & Performance Characteristics



27391 Marine Mounts are compact, captive marine isolators designed to support medium loads from 125-1000 lbs. per mount.

They provide effective noise and vibration isolation of marine engines up to 500 horsepower and are ideal for V-drive applications.

NATURAL FREQUENCY	8-14 Hertz
TRANSMISSIBILITY AT RESONANCE	8:1
RESILIENT ELEMENT	Neoprene
STANDARD MATERIALS	Corrosion resistant steel & Aluminum
WEIGHT	6.15 lbs.

PART #	LOAD RANGE (lbs.)					MINIMUM LOAD (lbs.)	MAXIMUM LOAD (lbs.)
	125	250	500	750	1,000		
27391-2	←→					125	275
27391-3	←→					250	500
27391-4	←→					350	750
27391-5	←→					500	1,000